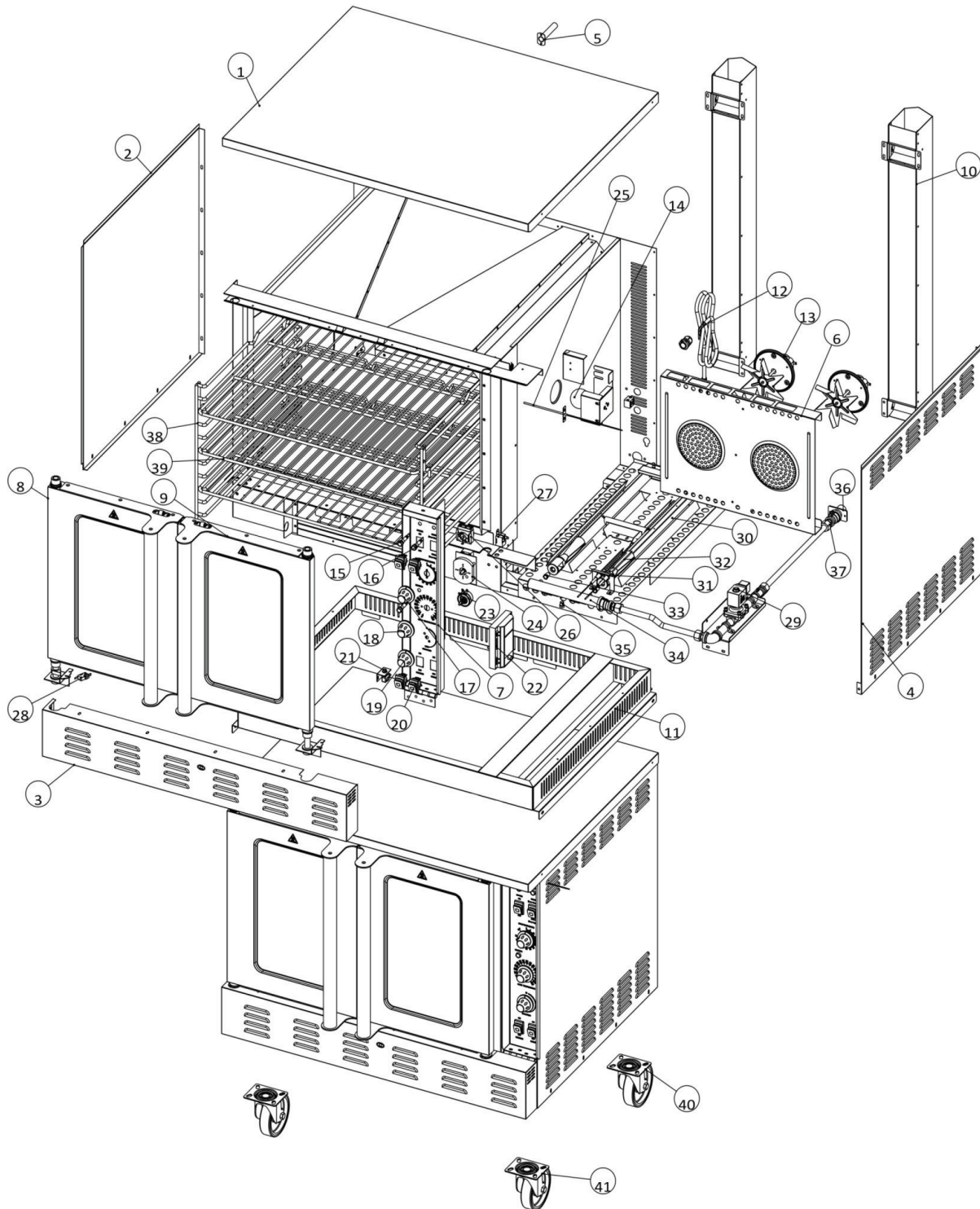


Parts Breakdown

Model CE-CN-0002-NG 48060



Parts Breakdown

Model CE-CN-0002-NG 48060

Item No.	Description	Position	Item No.	Description	Position	Item No.	Description	Position
AO137	Top Cover for 48060	1	AJ580	Oven Power Indicator for 48060	15	AJ587	Solenoid Valve for 48060	29
AO132	Left Side Panel for 48060	2	AD711	Working Indicator for 48060	16	AO152	Left Burner for 48060	30
AO134	Front Decoration Plate for 48060	3	AP645	Timer Knob for 48060	17	AO151	Right Burner for 48060	30
AO133	Right Side Panel for 48060	4	AP646	Thermostat Knob for 48060	18	AO149	Ground Pin for 48060	31
AO138	Exhaust Pipe for 48060	5	AP647	Thermostat Knob for 48060	19	AO150	Sparker and Flame Sensor for 48060	32
AO140	Air Deflector for 48060	6	AJ582	Power Switch for 48060	20	AJ595	Oven Nozzle for 48060	33
AO141	Control Panel for 48060	7	AO166	Micro Switch on Control Panel for 48060	21	AO148	Gas Distribution Pipe for 48060	34
AO172	Left Door Assembly for 48060	8	AJ590	Ignitor for 48060	22	AJ605	Test Plug for 48060	35
AO169	Right Door Assembly for 48060	9	AP648	Thermostat for 48060	23	AN737	Gas Pipe for 48060	36
AO139	Flue Assembly for 48060	10	AJ586	Oven Digital Thermostat for 48060	24	AO142	1/2 to 15 Street Elbow for 48060	37
AP644	Stacking Kit for 48060	11	AO161	Thermostat Probe for 48060	25	AO174	Wire Rack Support for 48060	38
AO153	Power Cord for 48060	12	AO163	Timer for 48060	26	AO173	Wire Rack for 48060	39
AJ600	Motor Assembly for 48060	13	AO162	Buzzer for 48060	27	AP649	5" Caster without Brake for 48060	40
AO159	Chamber Light for 48060	14	AO170	Door Trip Switch for 48060	28	AP650	5" Caster with Brake for 48060	41